



Landing Configuration For Dwelling Units

The Building Standards Department issues Builder Tips as part of our customer service program. They are designed to provide an improved understanding of the Building Code and to reduce the costs associated with correcting infractions. Please contact your area building inspector for further information or call the Building Standards Department at 905.475.4848 extension 2189

9.8.6.3. Dimensions of Landings (See Note A-3.4.6.4.) (See also Articles 9.9.6.1. and 9.9.6.6. regarding landings in exits)

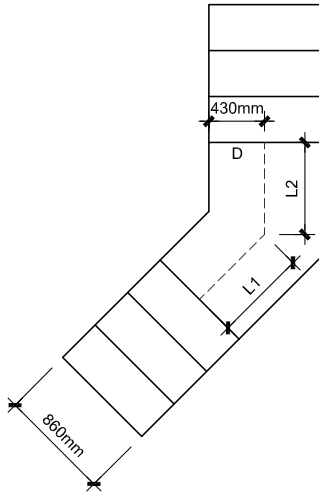
(1) Except as provided in Sentence (2) to (7), landings shall be at least as wide and as long as the width of the stair or ramp in which they occur.

(2) Where the landing in a stairway or ramp does not turn or turns less than 90°, the length of the landing need not be more than the lesser of

- (a) the required width of the stair or ramp, or
- (b) 1 100 mm.

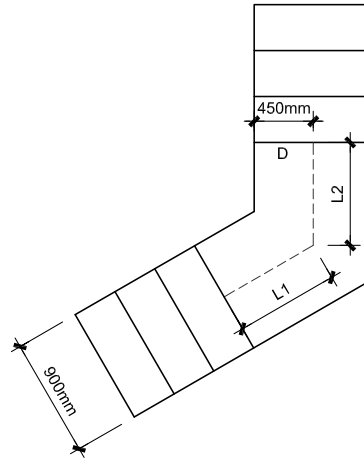
OBJECTIVE

Landing configuration as per Figure A-3.4.6.4.



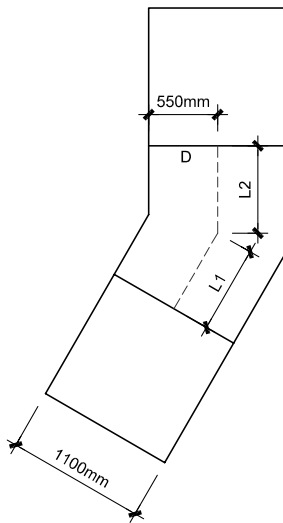
REQUIRED WIDTH = 860mm
 $L1 + L2 \geq 860\text{mm}$
 $D = 430\text{mm}$

STAIRS WITHIN DWELLING UNITS



REQUIRED WIDTH = 900mm
 $L1 + L2 \geq 900\text{mm}$
 $D = 450\text{mm}$

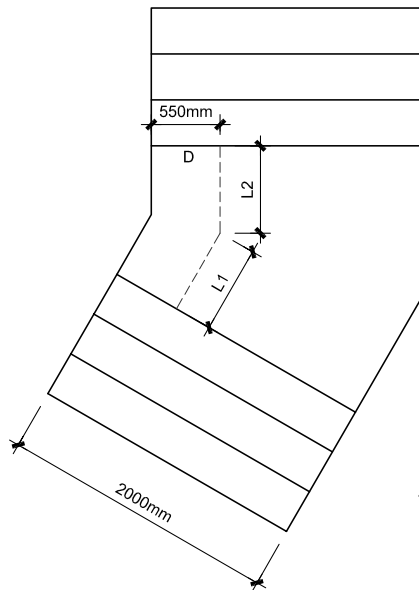
PUBLIC STAIRS



REQUIRED WIDTH = 1100mm
 $L1 + L2 \geq 1100\text{mm}$
 $D = 550\text{mm}$

EXIT RAMP

(NOT PART OF A BARRIER-FREE PATH OF TRAVEL)



REQUIRED WIDTH = 2000mm
 $L1 + L2 \geq 1100\text{mm}$
 $D = 550\text{mm}$

WIDE STAIRS

FIGURE A-3.4.6.4.

LANDING CONFIGURATIONS

NOTES TO FIGURE A-3.4.6.4.:

- (1) $L1 + L2$ = LENGTH OF THE LANDING
 = THE LESSER OF THE REQUIRED WIDTH OF STAIR OR RAMP, OR 1100mm
 SEE SENTENCES 3.4.6.4.(2) AND 9.8.6.3.(2)
- (2) D = DISTANCE FROM THE NARROW EDGE WHERE THE LENGTH OF THE LANDING IS MEASURED
 = HALF THE REQUIRED LENGTH OF THE LANDING
 SEE SENTENCES 3.4.6.4.(3) AND 9.8.6.3.(3)