



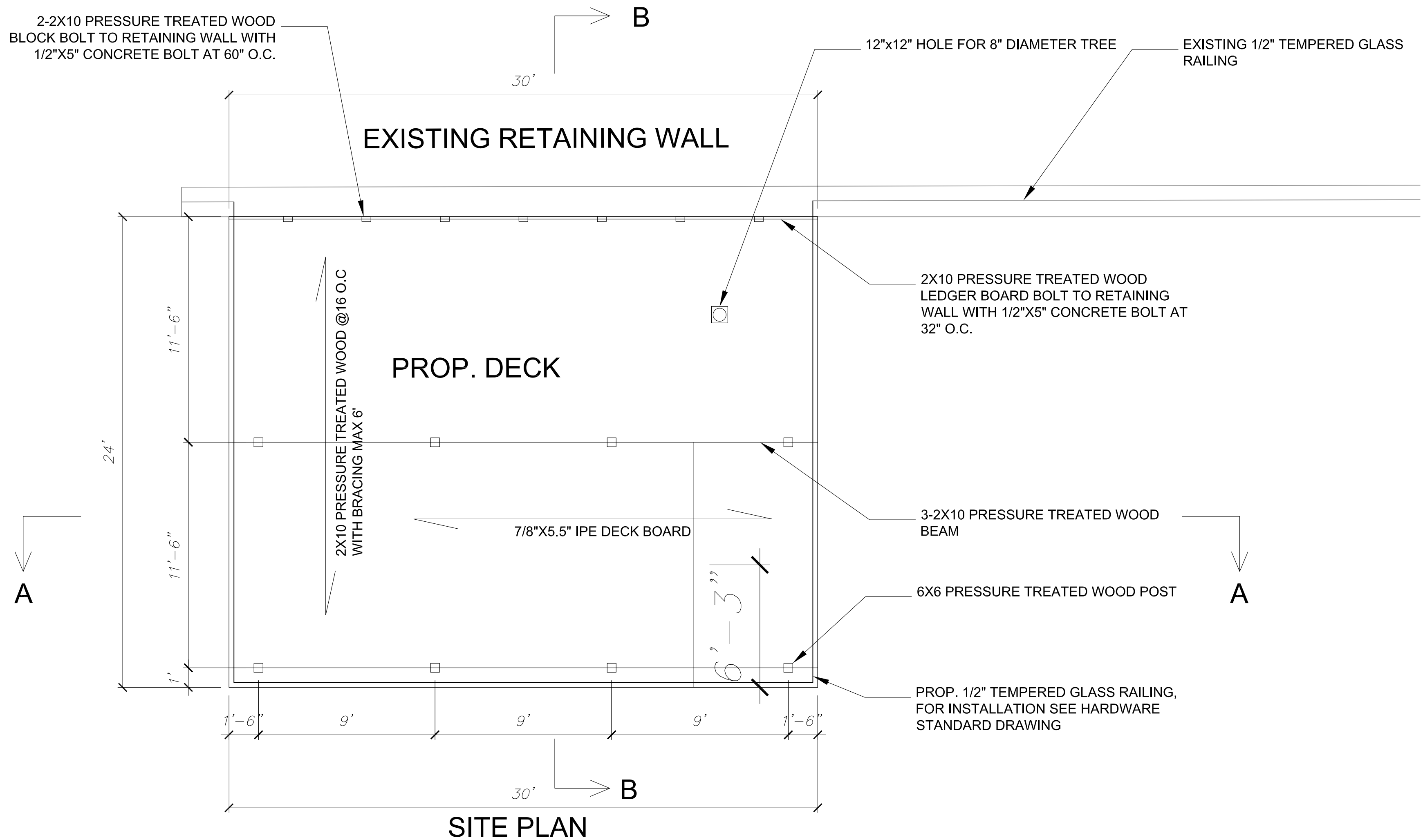
NO.	DATE	REVISIONS / ISSUE

GRACE ENGINEERING
 QUEENSTON DR. MARKHAM, ONTARIO L3C 2G8
 TEL : 647-687-2821 FAX : 1-888-411-1719
 EMAIL: service.geng@gmail.com

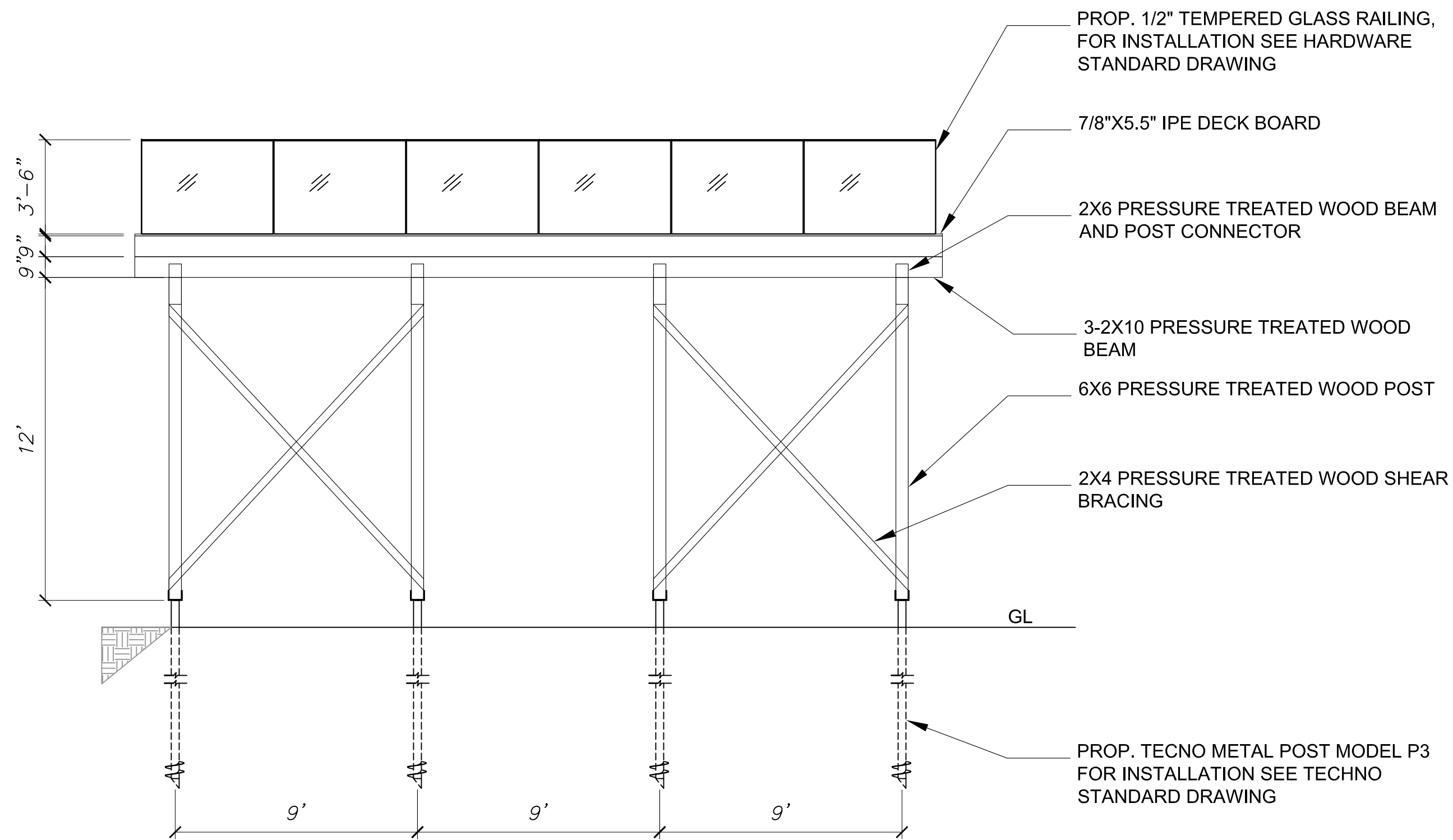
BACK YARD DECK
 14 WHITELAW COURT MARKHAM, ON L3T 5E7

DRAWING TITLE:
EXISTING SURVEY PLAN

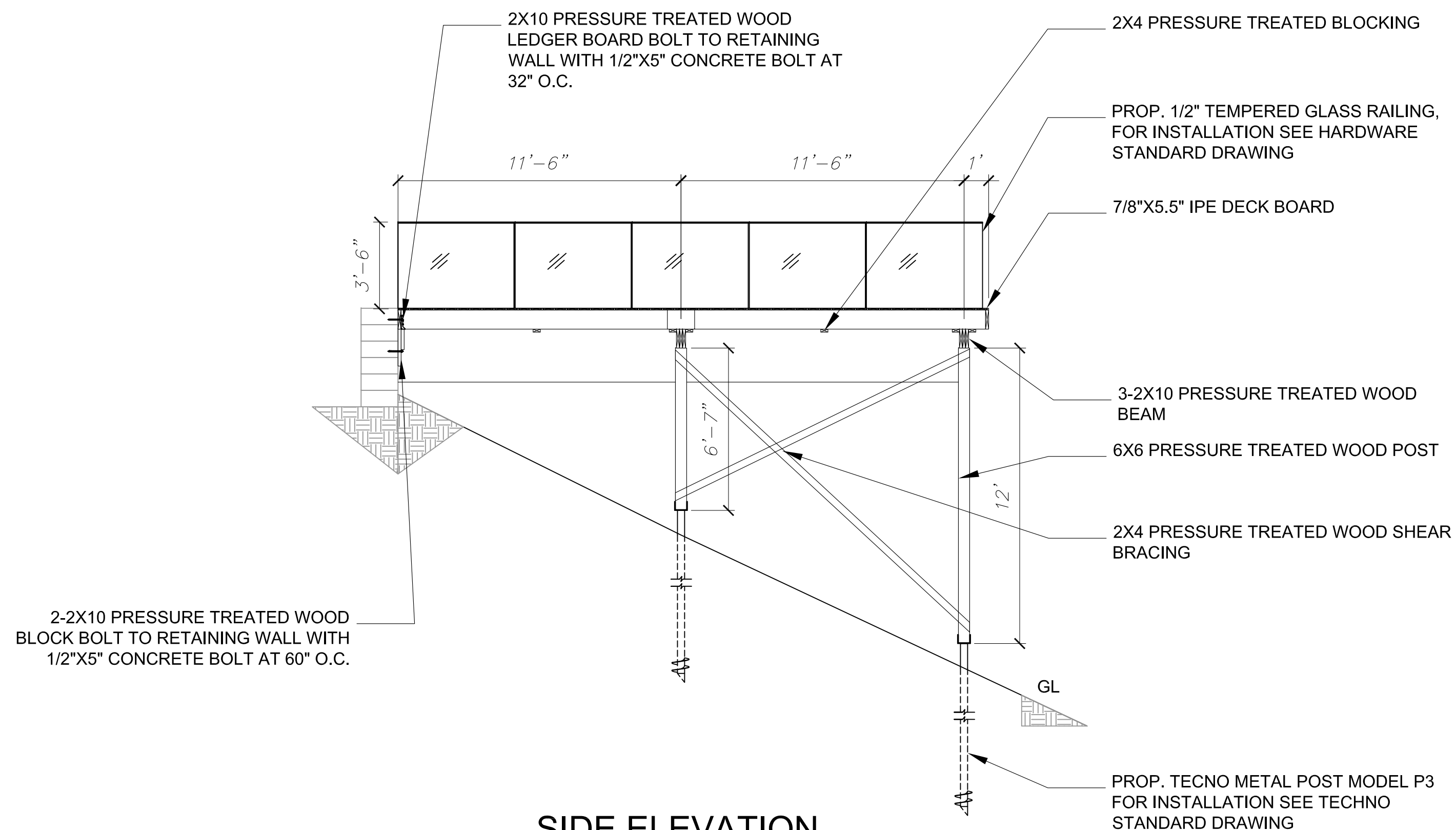
DRAWN BY GW	DATE: 12 APRIL 2023	SCALE: 1/16"=1'-0"
CHECKED BY JK	PROJECT NO.: 2023-014	SHEET NO.: A002



1	12 APRIL 2023	ISSUED FOR PERMIT
NO.	DATE	REVISIONS / ISSUE
GRACE ENGINEERING		
QUEENSTON DRIVE MISSISSAUGA ONTARIO L5C 2G8		
TEL : 647-687-2821 FAX : 1-888-411-1719		
EMAIL: service.geng@gmail.com		
BACK YARD DECK		
14 WHITELAW COURT MARKHAM, ON L3T 5E7		
DRAWING TITLE: DECK PLAN		
DRAWN BY GW	DATE: 12 APRIL 2023	SCALE: 1/4"=1'-0"
CHECKED BY JK	PROJECT NO.: 2023-014	SHEET NO.: A101



FRONT ELEVATION



SIDE ELEVATION



1	12 APRIL 2023	ISSUED FOR PERMIT
NO.	DATE	REVISIONS / ISSUE

GRACE ENGINEERING
 QUEENSTON DRIVE MISSISSAUGA
 ONTARIO L5C 2G8
 TEL : 647-687-2821 FAX : 1-888-411-1719
 EMAIL: service.geng@gmail.com

BACK YARD DECK
 14 WHITELAW COURT MARKHAM, ON.L3T 5E7

DRAWING TITLE:
ELEVATION

DRAWN BY GW	DATE: 12 APRIL 2023	SCALE: 1/4"=1'-0"
CHECKED BY JK	PROJECT NO.: 2023-014	SHEET NO.: A201

